



# Installation Instructions

## Wireless Motion Sensor LED Slim Light

### MB852-862

**Thank you** for purchasing the Mr. Beams™ Slim Light. We are committed to eliminating darkness using the latest in Light-Emitting Diodes (LEDs). LEDs are the most efficient and durable light sources available. We are certain that your light will contribute to a safer environment and provide light where you need it at a very reasonable cost.

#### What is included per light:

- 2 Slim Lights
- 4 Screws & 2 Strips of Double Sided Tape
- 2 Mounting Brackets

#### What you need to install:

- 4 AA-Cell Alkaline Batteries
- Screwdriver

#### Slim Light Features:

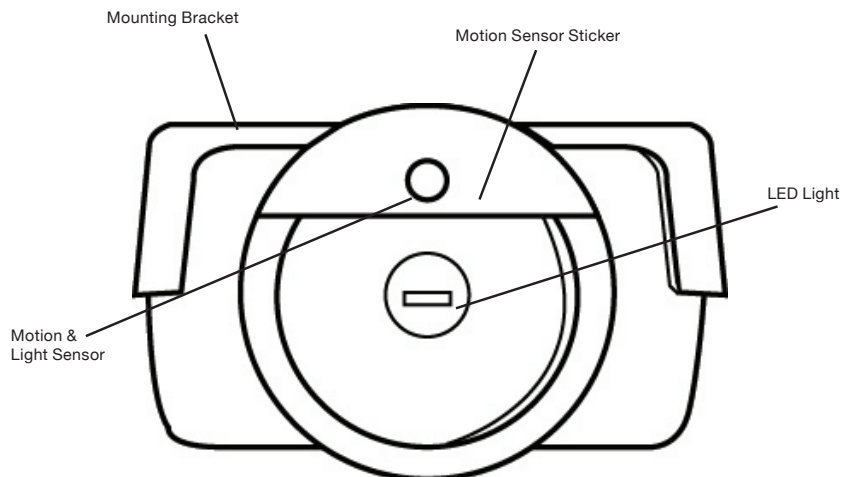
**Motion/Light Sensor:** Light instantly turns on when it detects motion from up to 7 feet away. The light sensor conserves battery life by preventing the light from activating in daylight.

**Auto Shut-off:** Light shuts off automatically after 20 or 60 seconds (optional) if no motion is detected.

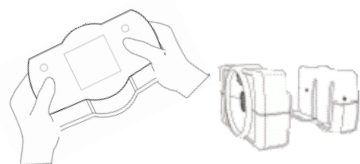
**Bright LED:** 35 Lumens covers up to 10 sq ft.

#### Tips:

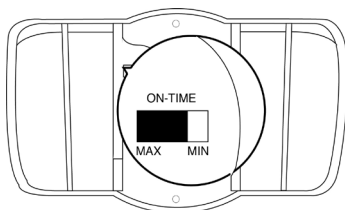
- Use only new alkaline AA-Cell batteries with 1.5V rating.
- Do not mix old and new batteries. If batteries are not new, it may cause the light to malfunction.
- Install batteries with polarity in correct position.
- Light may activate when batteries are inserted. Simply take light into a dark room. Allow motion sensor to settle, then test activation.
- **If your light is activating by motion too often, reposition light further away from traffic. Batteries will drain if this keeps occurring.**
- **If your light will not turn off, it means that it is time to replace the batteries.**
- **NOTE: This is a strong adhesive tape that may cause damage to paint, wallpaper, or surface underneath if removed.**



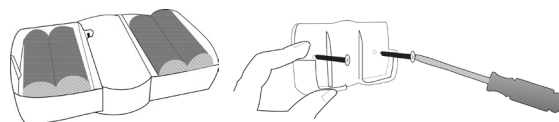
**NOTE: Light sensor only allows Slim Light to activate in darkness. We recommend you test in a dark room or closet.**



1. Remove rear cover of light by placing two fingers on the circle on the face of the light and placing your thumbs on each side of the back of the light, lightly push down and slide toward the arrows on mounting bracket.



2. Set auto shut-off to 20 or 60 seconds. For extended battery life, 20 seconds is recommended.



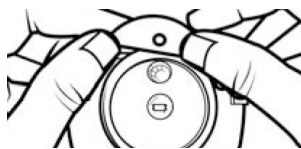
3. Insert 4 AA-Cell batteries into Slim Lights. Lights should come on immediately. Do not replace cover.  
4. Drive screws (included) through holes of mounting bracket to secure.



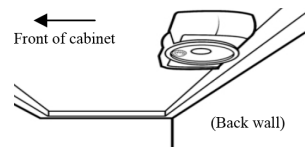
5. Locate the motion sensor sticker. Sticker will help optimize battery life and acts as a light sensor.



6. Peel the yellow paper off motion sensor sticker.



7. Apply sticker with hole centered over motion sensor lens.



8. Turn the light so the motion sensor lens is positioned closest to walkway/front of cabinet. The best location is as far away from walkway/front of cabinet, while still illuminating target surface space.

\* Visit our website to view installation video.

\* 1 year limited warranty. See enclosed card for details.